

# CT 8000

8000 GALLONS/40000 LITRES WATER TANK

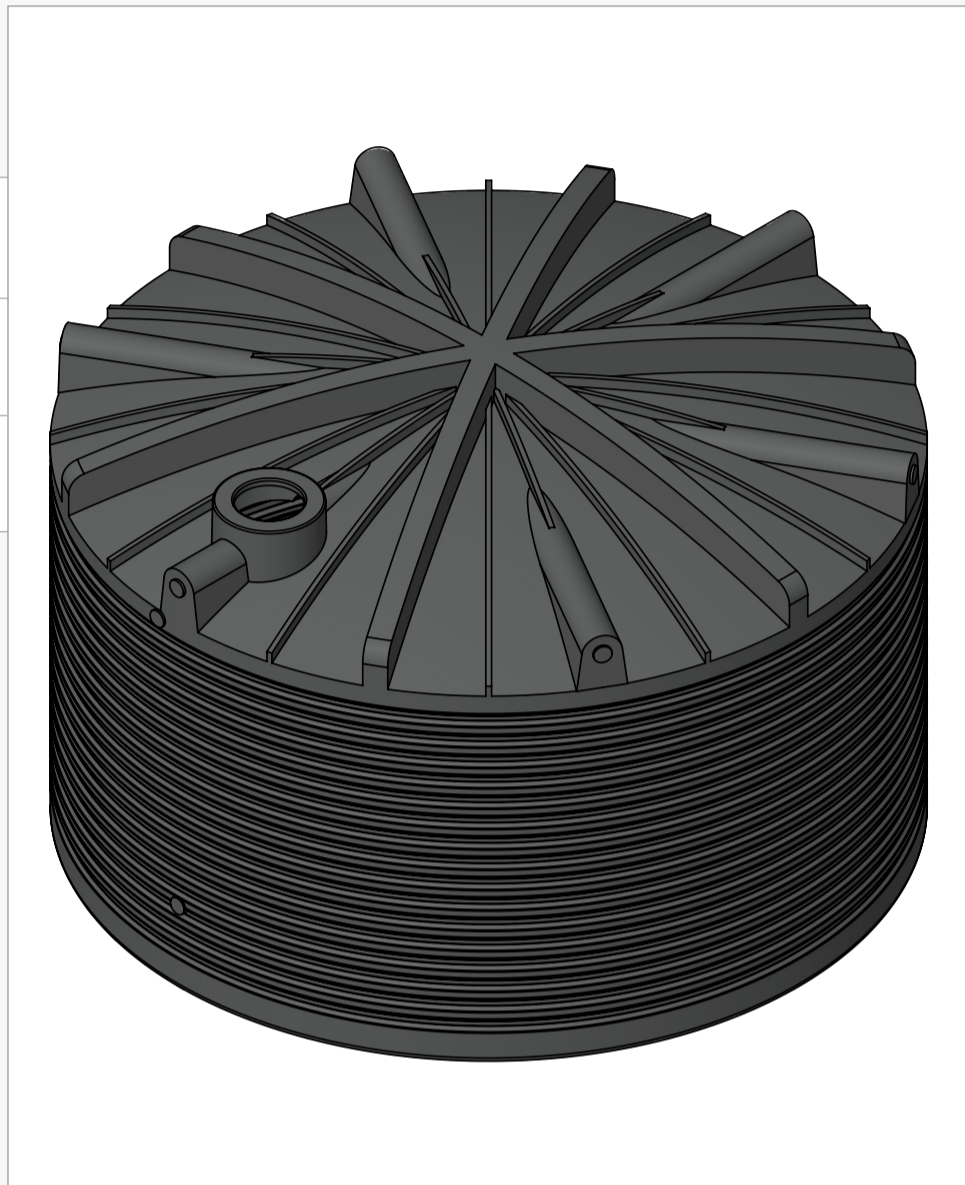
DIAMETER	4570 MM
INLET HEIGHT	2798 MM
APEX HEIGHT	2950 MM



## Features

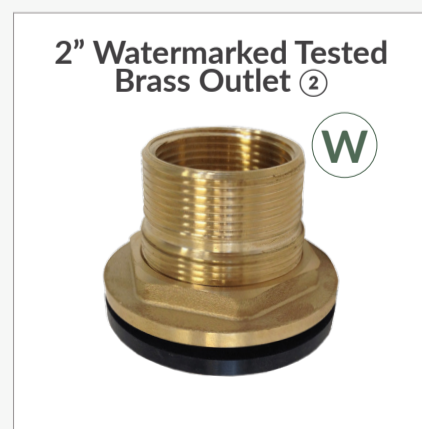
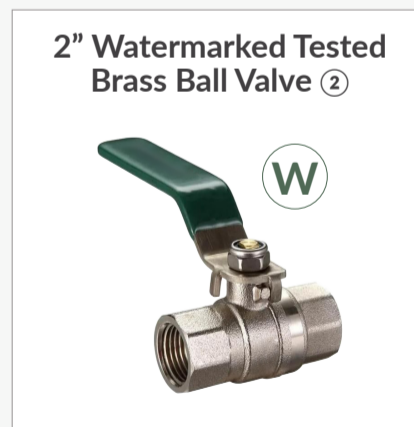
- Premium quality, UV protected and designed to withstand harsh Australian weather.
- Manufactured from 100% food grade polyethylene (No BPA).
- Fully self supporting roof and extra ribs for superior strength.
- Tapered walls and one-piece construction.
- Free delivery 600kms from Dalby branch.

PEOPLE REQUIRED ONSITE TO ASSIST WITH DELIVERY ③	3 + 1 DRIVER
WEIGHT	800 KG
TRUCK & TRAILER ACCESS REQUIRED FOR DELIVERY	



## Free Inclusions ①

(Brass outlet fitted prior to delivery, remaining fittings fitted onsite upon delivery)



AVAILABLE IN ALL 32 COLOURS



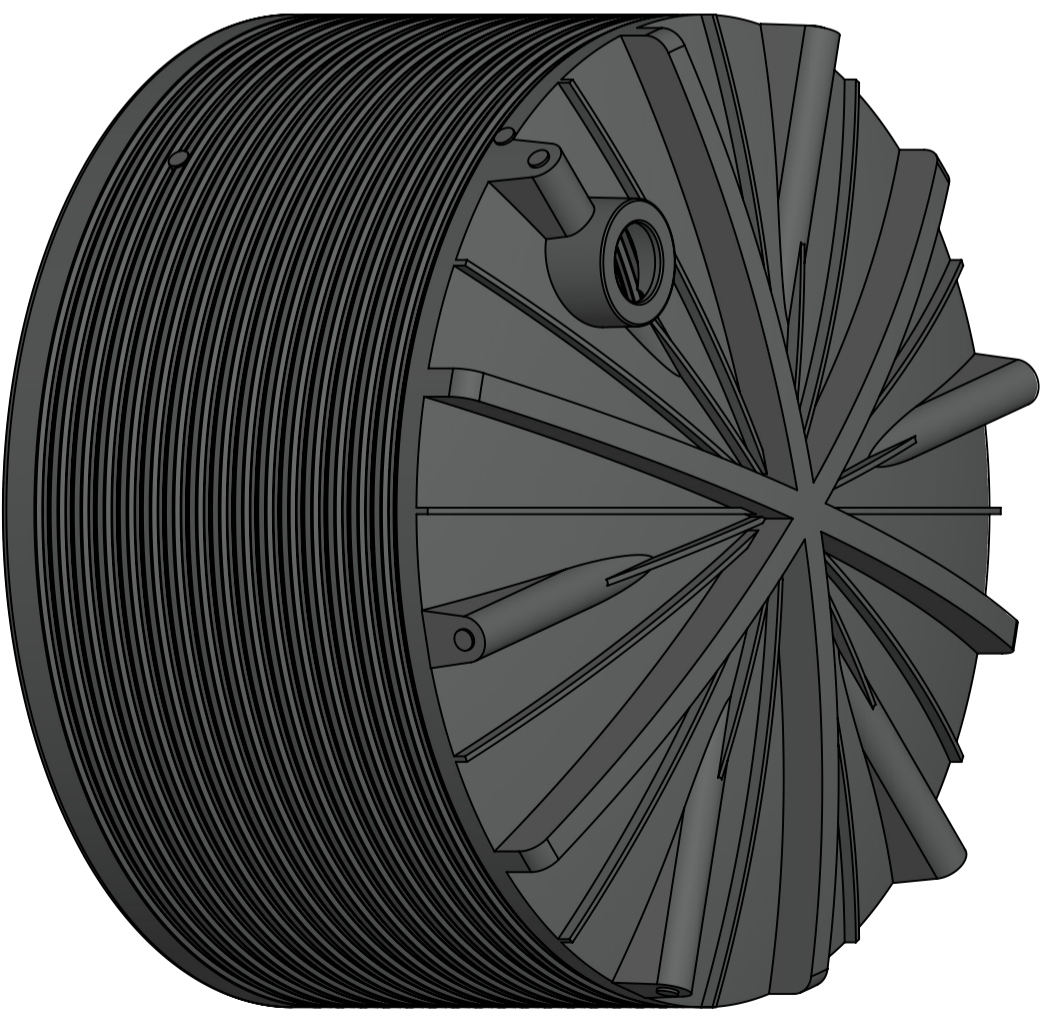
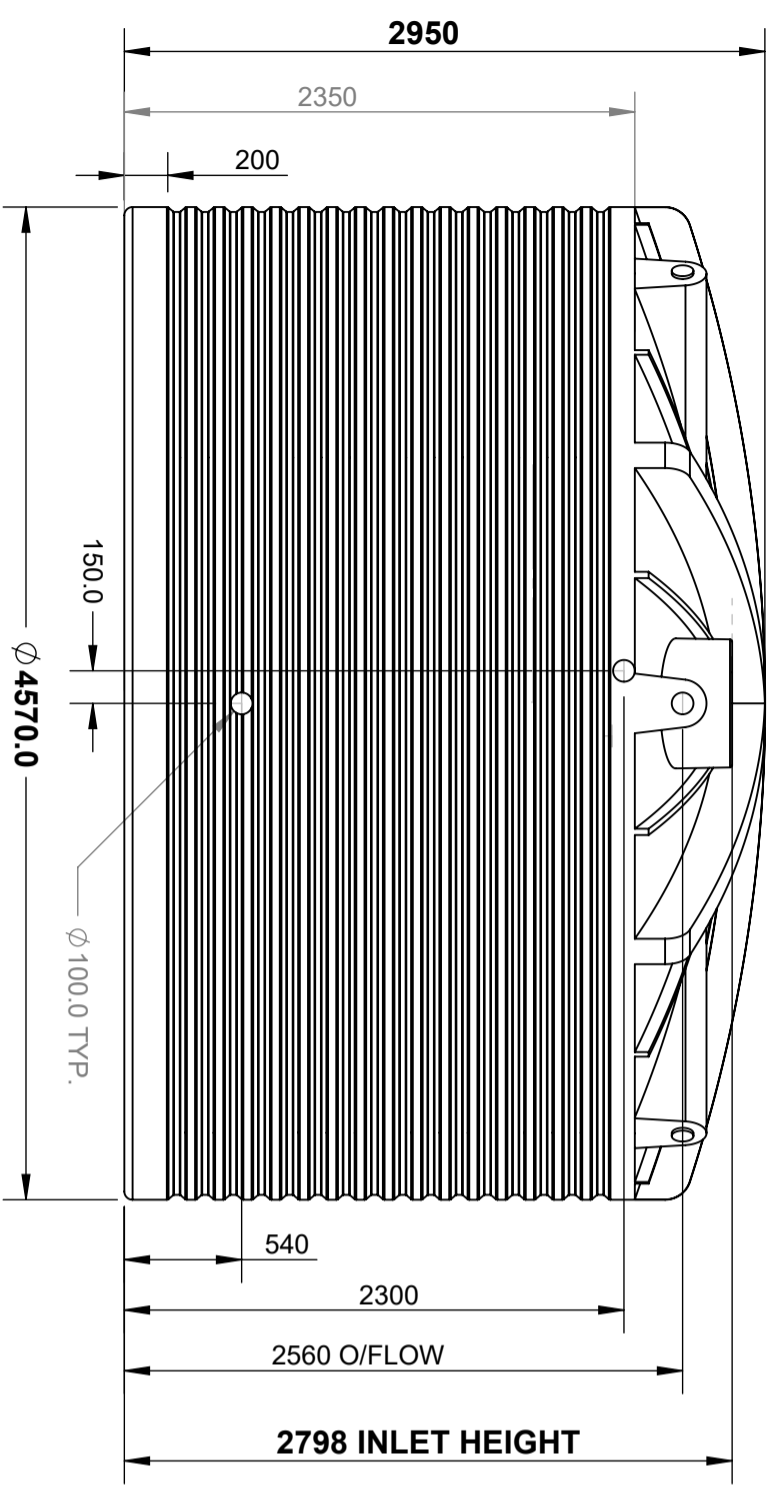
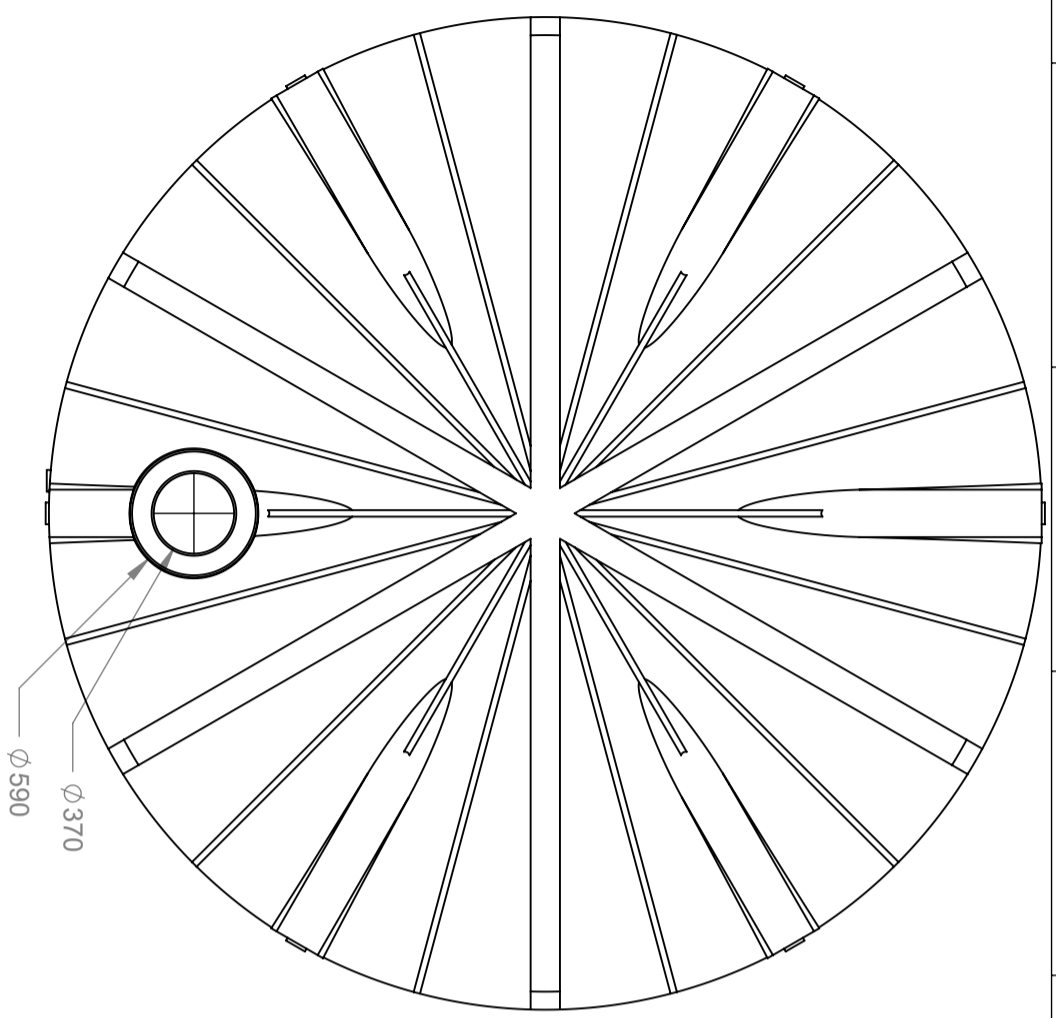
AS/NZS 4766:2006 Polyethylene Storage Tanks for Water and Chemicals Certification # 300/1



① Additional watermarked tested brass fittings or poly fittings are available on request (additional charges may apply).  
 ② Watermarked tested brass fittings available in 1", 1.5" & 2", poly welded fittings also available (additional charges may apply).  
 ③ Delivery & Installation guide available, enquire with our sales team for a copy.  
 ④ Warranty Conditions available on our website. \*Conditions apply.

Sizes shown are approximate sizes. Capacities listed are approximate maximum volumes. Prices quoted include GST. Specifications are subject to change. Product Certification applies to selected range.





- DRAWING NOTES:
1. GENERAL TOLERANCES TO BE FOLLOWED IN TABLE, UNLESS OTHERWISE SPECIFIED
  2. SURROUNDED DIMENSIONS ARE CRITICAL
  3. ( ) SURROUNDED DIMENSIONS ARE FOR REFERENCE
  4. ANY UNMARKED OR MISSING DIMENSIONS USE STEP DATA OR NATIVE PARTS
  5. MATERIAL SUBSTITUTION ONLY WITH WRITTEN PERMISSION FROM CLARK TANKS
  6. ALL SHARP EDGES AND BURRS TO BE REMOVED

**40000L CT8000**

THIRD ANGLE PROJECTION NOT TO SCALE DIMENSIONS IN MM TOLERANCES UNLESS OTHERWISE SPECIFIED

REV	ECN / PE	STATUS / COMMENTS / NOTES	DRN	CHK'D	DATE	PLACES DEC.	TOLERANCE
1						0 PLACES DEC.	±1
2						1 PLACES DEC.	±0.3
3						2 PLACES DEC.	±0.10
4						3 PLACES DEC.	±0.05

CRITICAL DIMENSIONS ENHANCED	AS	JG	26/03/2024	0 PLACES DEC.	±1
PRODUCTION RELEASE	AS	JG	28/02/2024	1 PLACES DEC.	±0.3

PART No.	CT_40000
DRAWING NAME	CT_40000
DRAWING No.	CT 40000
SIZE	A3
SHEET	1 OF 1

MATERIAL	PE
<p><b>Better Design. Better Build. Better Value.</b></p> <p><b>CLARK TANKS</b></p> <p>BETTER DESIGN. BETTER BUILD. BETTER VALUE.</p> <p>COPYRIGHT DETAILS: THIS DOCUMENT IS THE PROPERTY OF CLARK TANKS AND NOT FOR REPRODUCTION IN ANYWAY WITHOUT SPECIFIC WRITTEN PERMISSION FROM CLARK TANKS. DRAWINGS PREPARED BY WWW.ASDCONSULTANTS.COM</p>	