

SL 5000

1100 GALLONS/5000 LITRES SLIMLINE TANK

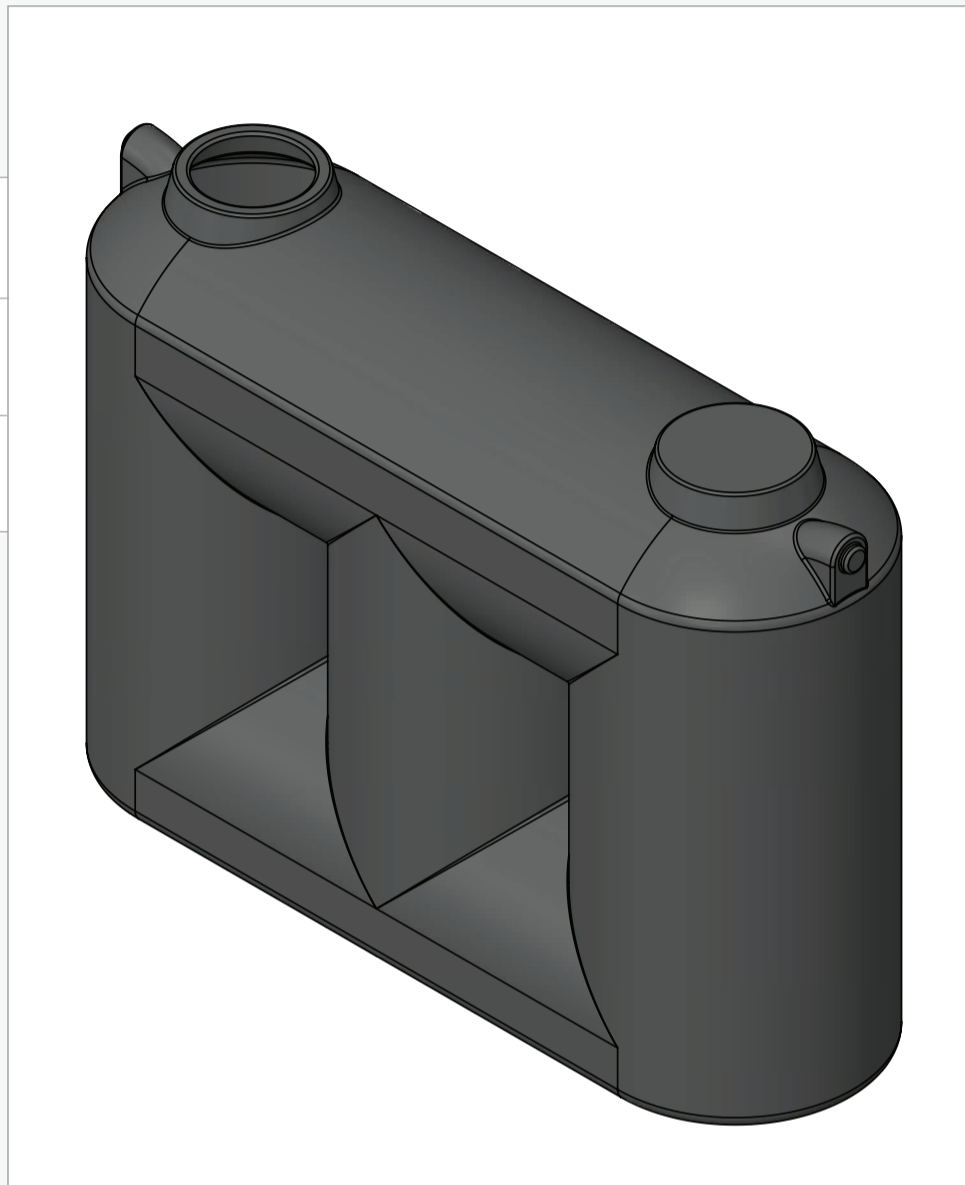
LENGTH	2990 MM
WIDTH	980 MM
HEIGHT	2120 MM



Features

- Premium quality, UV protected and designed to withstand harsh Australian weather.
- Manufactured from 100% food grade polyethylene (No BPA).
- Fully self supporting roof.
- One-piece construction.
- Free delivery 600kms from Dalby branch.

PEOPLE REQUIRED ONSITE TO ASSIST WITH DELIVERY ③	2 + 1 DRIVER
WEIGHT	200 KG



Free Inclusions ①

(Fitted onsite upon delivery)

400mm Strainer



1" Watermarked Tested Brass Ball Valve ②



1" Watermarked Tested Brass Outlet ②



90mm Overflow Strainer



AVAILABLE IN ALL 32 COLOURS



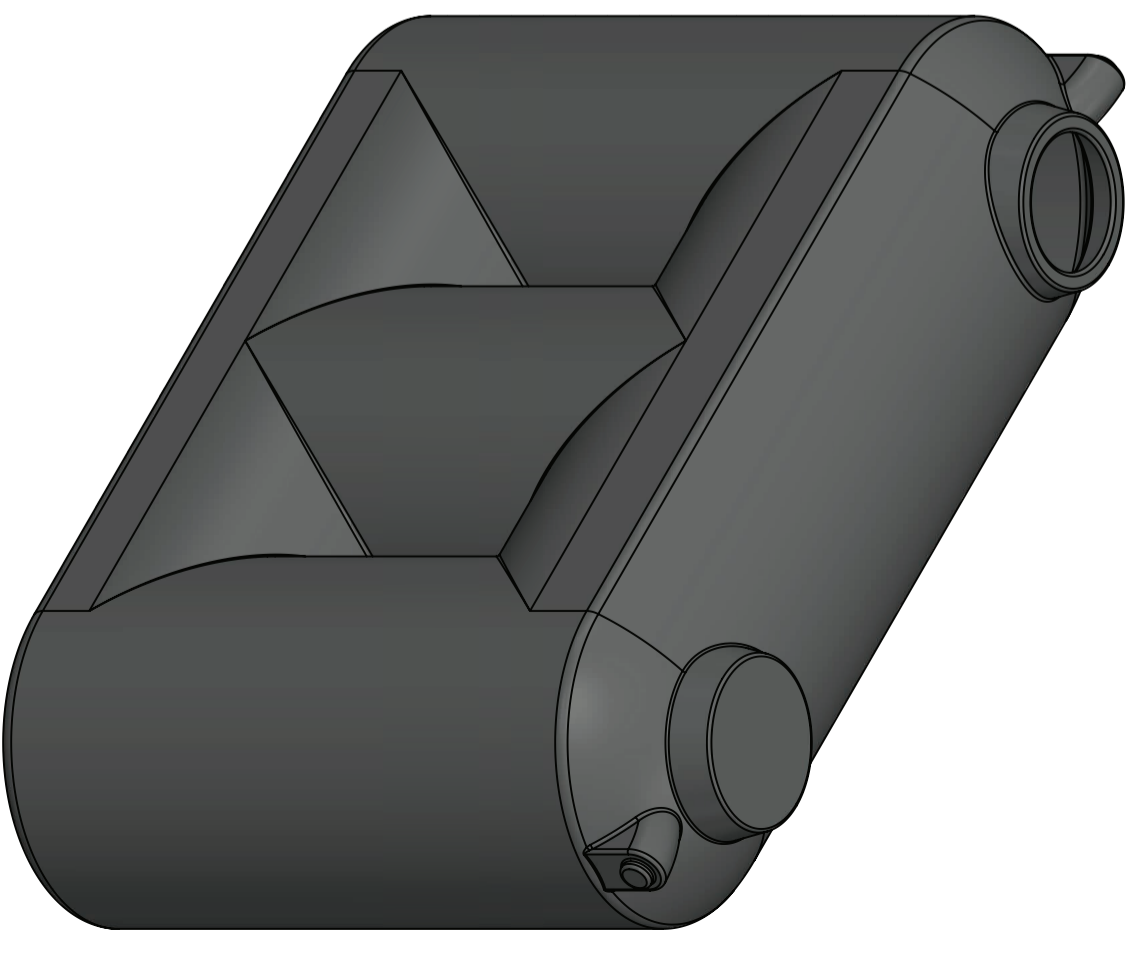
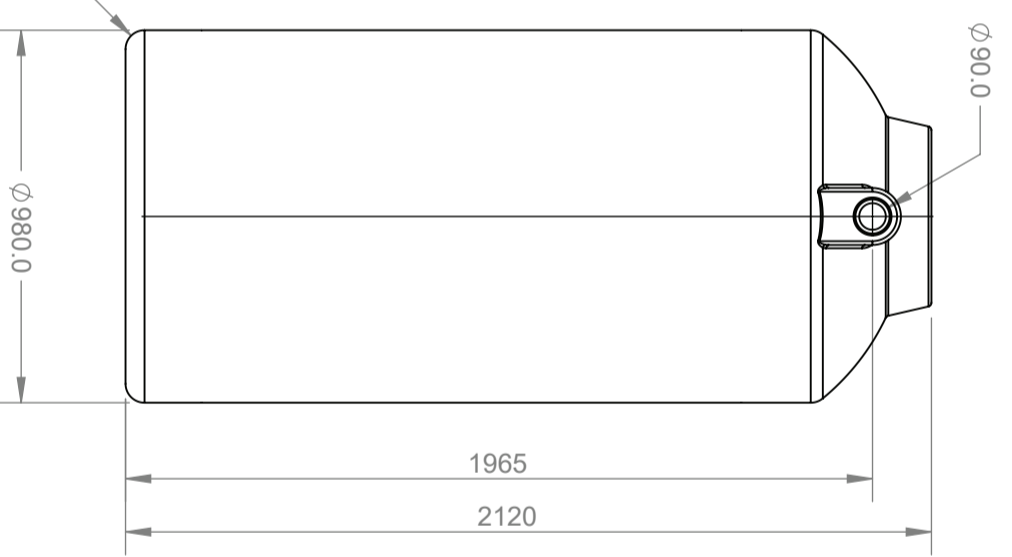
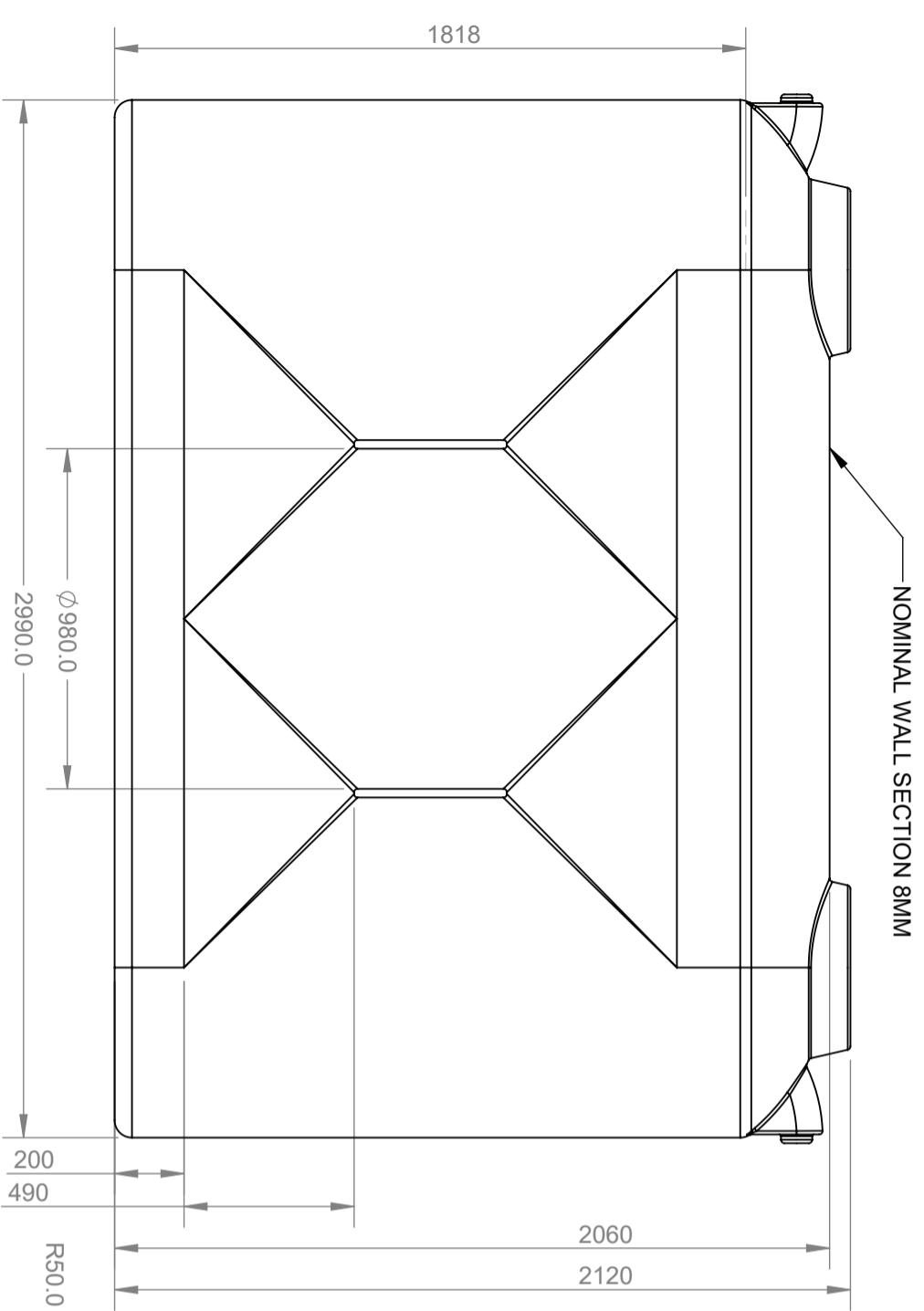
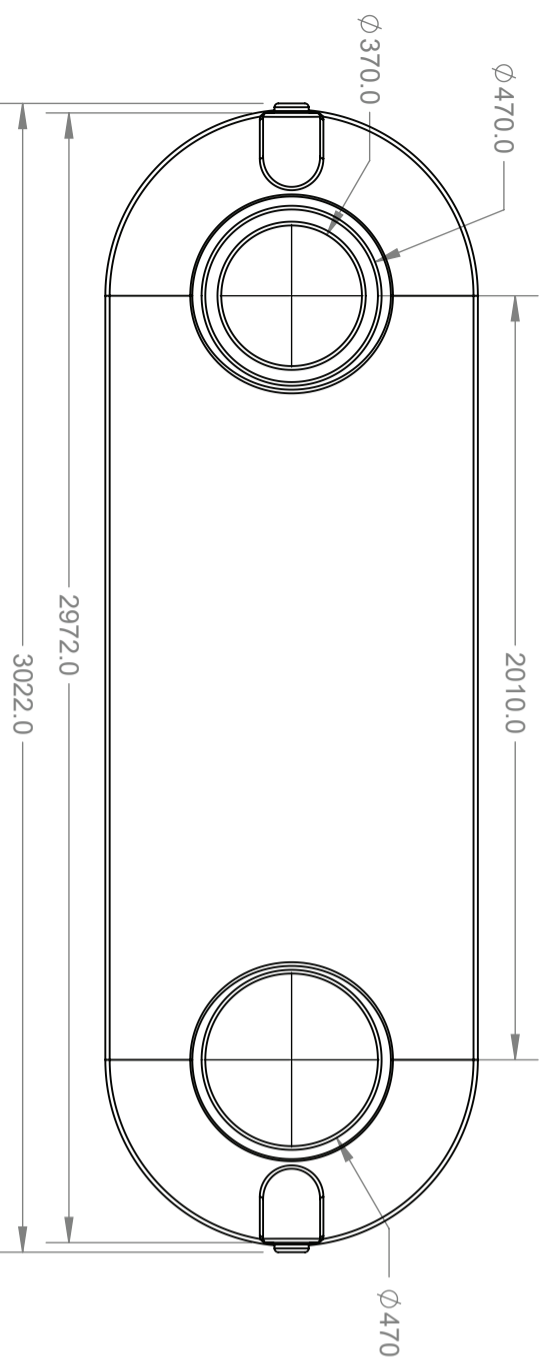
AS/NZS 4766:2006
Polyethylene Storage Tanks
for Water and Chemicals
Certification # 300/1



① Additional watermark tested brass fittings or poly fittings are available on request (additional charges may apply).
② Watermarked tested brass fittings available in 1", 1.5" & 2", poly welded fittings also available (additional charges may apply).
③ Delivery & Installation guide available, enquire with our sales team for a copy.
④ Warranty Conditions available on our website. *Conditions apply.

Sizes shown are approximate sizes. Capacities listed are approximate maximum volumes. Prices quoted include GST. Specifications are subject to change.
Product Certification applies to selected range.





DRAWING NOTES:

1. GENERAL TOLERANCES TO BE FOLLOWED IN TABLE, UNLESS OTHERWISE SPECIFIED
2. SURROUNDED DIMENSIONS ARE CRITICAL
3. UNSURROUNDED DIMENSIONS ARE FOR REFERENCE
4. ANY UNMARKED OR MISSING DIMENSIONS USE STEP DATA OR NATIVE PARTS MATERIAL SUBSTITUTION ONLY WITH WRITTEN PERMISSION FROM CLARK TANKS
5. ALL SHARP EDGES AND BURRS TO BE REMOVED

SL5000 SLIMLINE - 50000L

THIRD ANGLE PROJECTION			DIMENSIONS IN MM			NOT TO SCALE			MATERIAL PE			PART No. SL5000		
TOLERANCES UNLESS OTHERWISE SPECIFIED			STANDARD			TOLERANCES UNLESS OTHERWISE SPECIFIED			STANDARD			DRAWING NAME SL5000		

0 PLACES DEC. ±1			1 PLACES DEC. ±0.3			2 PLACES DEC. ±0.10			3 PLACES DEC. ±0.05			DRAWING No. SL5000		
------------------	--	--	--------------------	--	--	---------------------	--	--	---------------------	--	--	--------------------	--	--

COLOUR TO WIND GREY R136 G139 B138			AS			JG			19/03/2024			SIZE A3		
------------------------------------	--	--	----	--	--	----	--	--	------------	--	--	---------	--	--

PRODUCTION RELEASE			AS			JG			30/11/2023			SHEET 1 OF 1		
--------------------	--	--	----	--	--	----	--	--	------------	--	--	--------------	--	--

REV ECN / PE			STATUS / COMMENTS / NOTES			DRN			CHK'D			DATE		
1			2			3			4			5		



Better Design. Better Build. Better Value.
 COPYRIGHT DETAILS:
 THIS DOCUMENT IS THE PROPERTY OF CLARK TANKS AND NOT FOR REPRODUCTION IN ANYWAY WITHOUT SPECIFIC WRITTEN PERMISSION FROM CLARK TANKS. DRAWINGS PREPARED BY WWW.ABIDCONSULTANTS.COM