

SL 2000

440 GALLONS/2000 LITRES SLIMLINE TANK

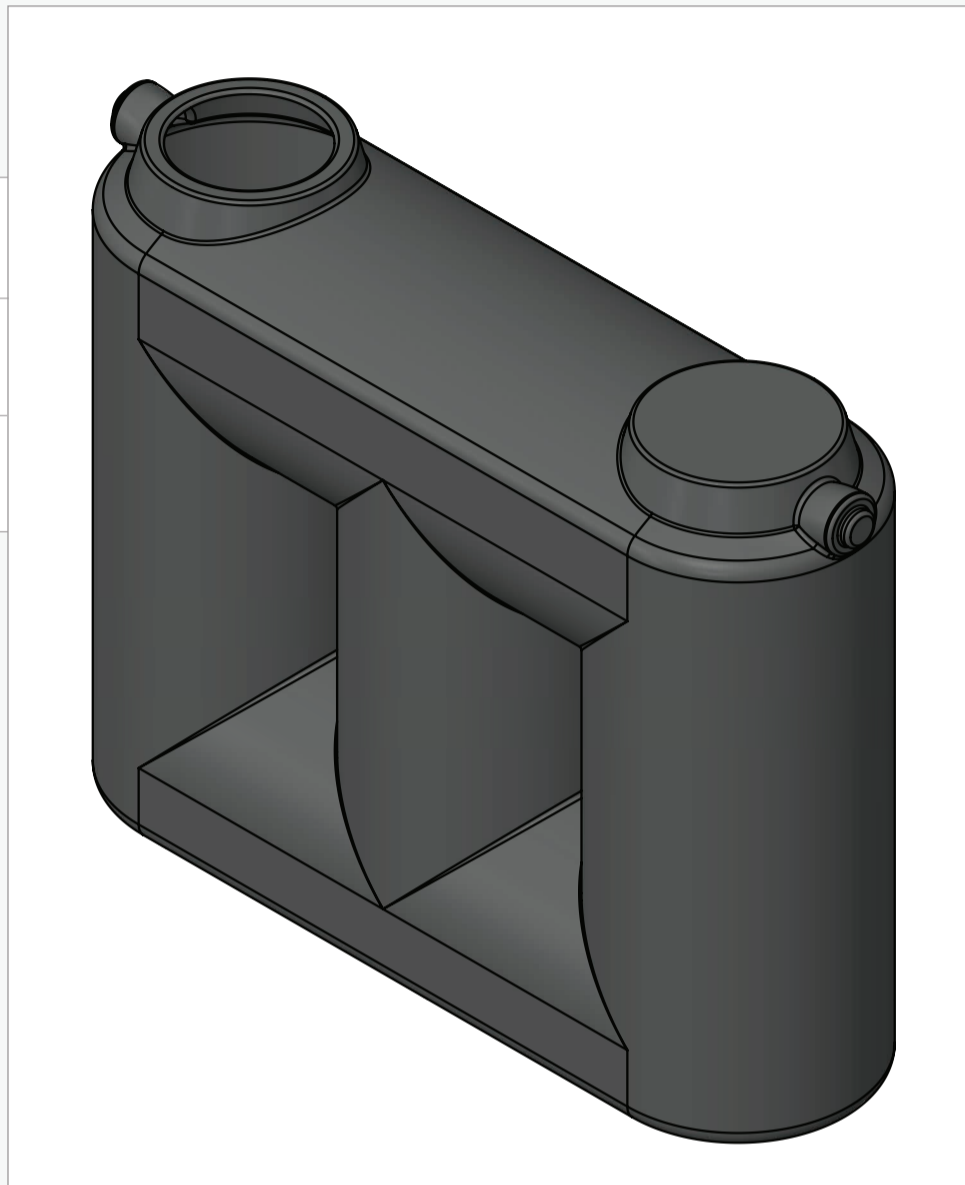
LENGTH	2180 MM
WIDTH	680 MM
HEIGHT	1700 MM



Features

- Premium quality, UV protected and designed to withstand harsh Australian weather.
- Manufactured from 100% food grade polyethylene (No BPA).
- Fully self supporting roof.
- One-piece construction.
- Free delivery 600kms from Dalby branch.

PEOPLE REQUIRED ONSITE TO ASSIST WITH DELIVERY ③	2 + 1 DRIVER
WEIGHT	100 KG



AVAILABLE IN ALL 32 COLOURS



Free Inclusions ①

(Fitted onsite upon delivery)

400mm Strainer



1" Watermarked Tested Brass Ball Valve ②



1" Watermarked Tested Brass Outlet ②



90mm Overflow Strainer



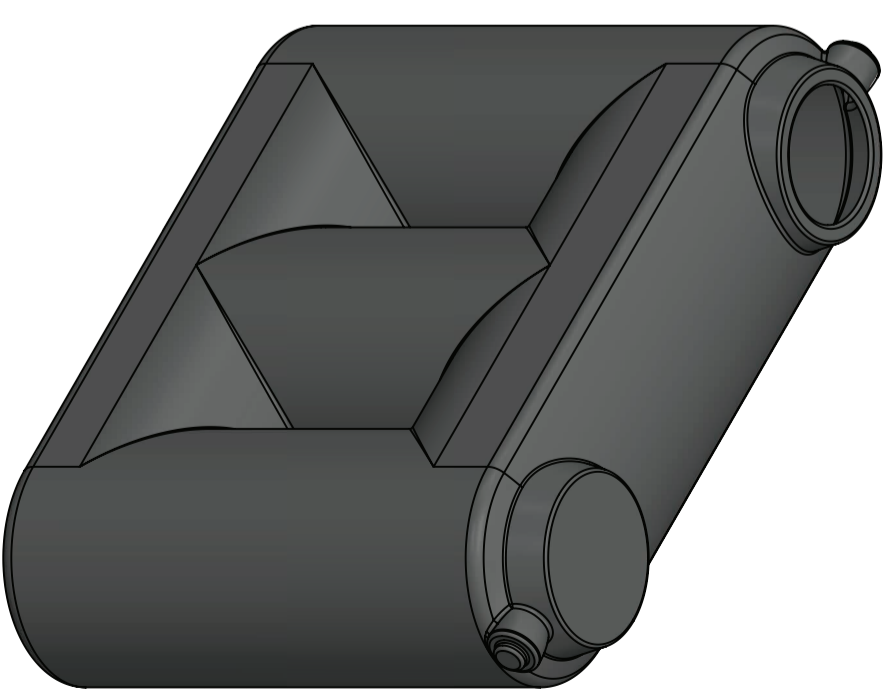
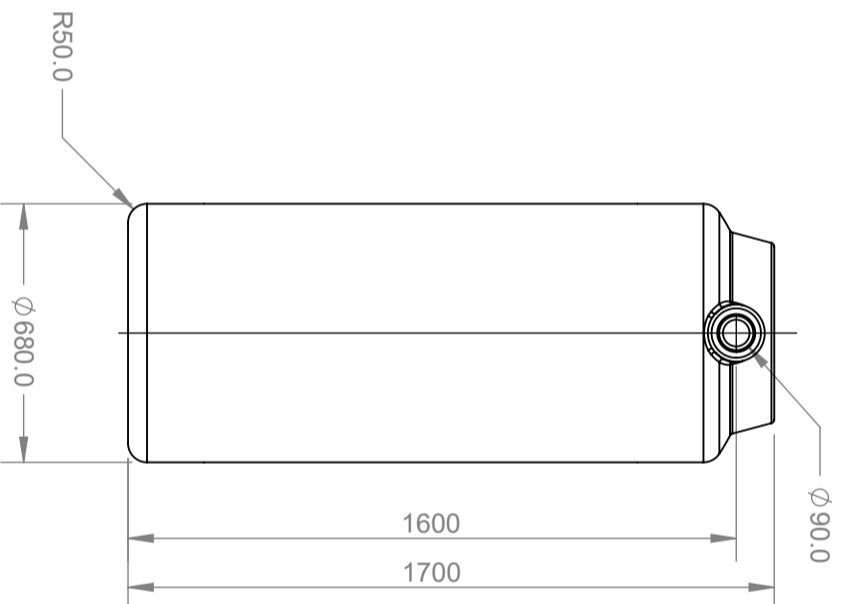
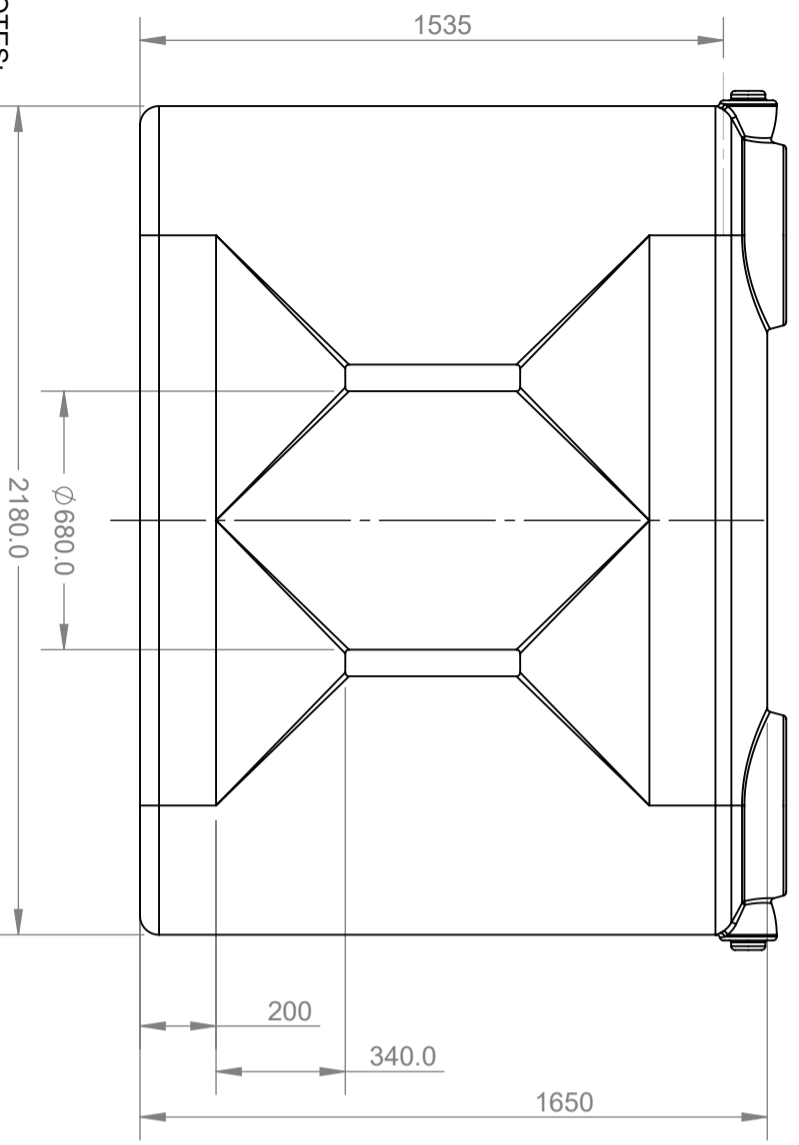
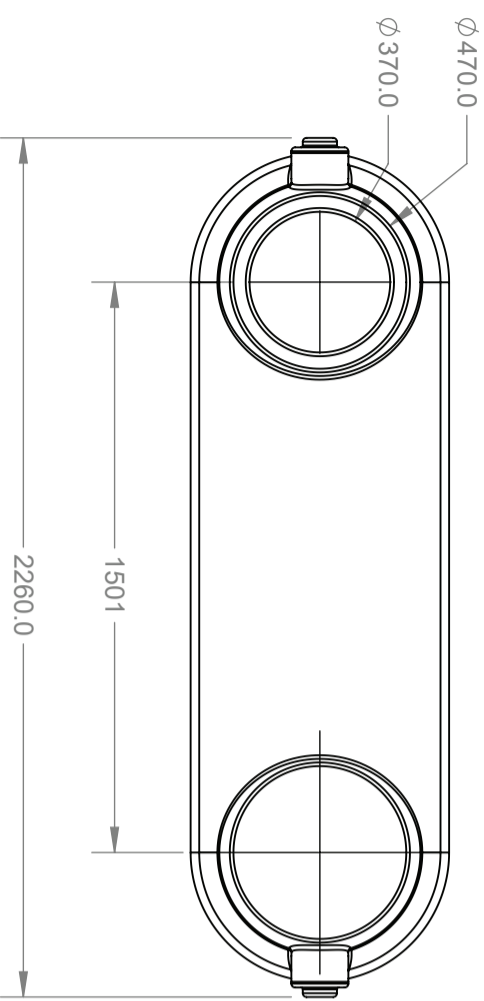
AS/NZS 4766:2006
Polyethylene Storage Tanks
for Water and Chemicals
Certification # 300/1



① Additional watermarked tested brass fittings or poly fittings are available on request (additional charges may apply).
② Watermarked tested brass fittings available in 1", 1.5" & 2", poly welded fittings also available (additional charges may apply).
③ Delivery & Installation guide available, enquire with our sales team for a copy.
④ Warranty Conditions available on our website. *Conditions apply.

Sizes shown are approximate sizes. Capacities listed are approximate maximum volumes. Prices quoted include GST. Specifications are subject to change.
Product Certification applies to selected range.





DRAWING NOTES:

1. GENERAL TOLERANCES TO BE FOLLOWED IN TABLE, UNLESS OTHERWISE SPECIFIED
2. SURROUNDED DIMENSIONS ARE CRITICAL
3. SURROUNDED DIMENSIONS ARE FOR REFERENCE
4. ANY UNMARKED OR MISSING DIMENSIONS USE STEP DATA OR NATIVE PARTS MATERIAL SUBSTITUTION ONLY WITH WRITTEN PERMISSION FROM CLARK TANKS
5. ALL SHARP EDGES AND BURRS TO BE REMOVED
- 6.

SL2000 SLIMLINE - 2000L

THIRD ANGLE PROJECTION		DIMENSIONS IN MM		NOT TO SCALE		MATERIAL PE		PART No. SL2000	
TOLERANCES UNLESS OTHERWISE SPECIFIED		STANDARD		TOLERANCES UNLESS OTHERWISE SPECIFIED		STANDARD		DRAWING No. SL2000	
0 PLACES DEC. ±1		1 PLACES DEC. ±0.3		2 PLACES DEC. ±0.10		3 PLACES DEC. ±0.05		DRAWING No. SL2000	
ANGULAR ±1°								SIZE A3 SHEET 1 OF 1	
COLOUR TO WIND GREY R136 G139 B138		AS		JG		19/03/2024		DRAWING No. SL2000	
PRODUCTION RELEASE		AS		JG		7/12/2023		DRAWING No. SL2000	
REV ECN / PE STATUS / COMMENTS / NOTES		DRN		CHK'D		DATE		DRAWING No. SL2000	
1		2		3		4		DRAWING No. SL2000	
1		2		3		4		DRAWING No. SL2000	



Better Design. Better Build. Better Value.

COPYRIGHT DETAILS:
THIS DOCUMENT IS THE PROPERTY OF CLARK TANKS AND NOT FOR REPRODUCTION IN ANYWAY WITHOUT SPECIFIC WRITTEN PERMISSION FROM CLARK TANKS. DRAWINGS PREPARED BY WWW.ASDICONCONSULTANTS.COM