

CT 1100T

1100 GALLONS/5000 LITRES WATER TANK

DIAMETER	1840 MM
INLET HEIGHT	2050 MM
APEX HEIGHT	2200 MM



Features

- Premium quality, UV protected and designed to withstand harsh Australian weather.
- Manufactured from 100% food grade polyethylene (No BPA).
- Fully self supporting roof and extra ribs for superior strength.
- One-piece construction.
- Free delivery 600kms from Dalby branch.

PEOPLE REQUIRED ONSITE TO ASSIST WITH DELIVERY ③	1 + 1 DRIVER
WEIGHT	100 KG



AVAILABLE IN ALL 32 COLOURS



Free Inclusions ①

(Fitted onsite upon delivery)

400mm Strainer



1" Watermarked Tested Brass Ball Valve ②



1" Watermarked Tested Brass Outlet ②

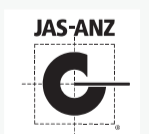


90mm Overflow Strainer



① Additional watermarked tested brass fittings or poly fittings are available on request (additional charges may apply).
② Watermarked tested brass fittings available in 1", 1.5" & 2", poly welded fittings also available (additional charges may apply).
③ Delivery & Installation guide available, enquire with our sales team for a copy.
④ Warranty Conditions available on our website. *Conditions apply.

Sizes shown are approximate sizes. Capacities listed are approximate maximum volumes. Prices quoted include GST. Specifications are subject to change. Product Certification applies to selected range.



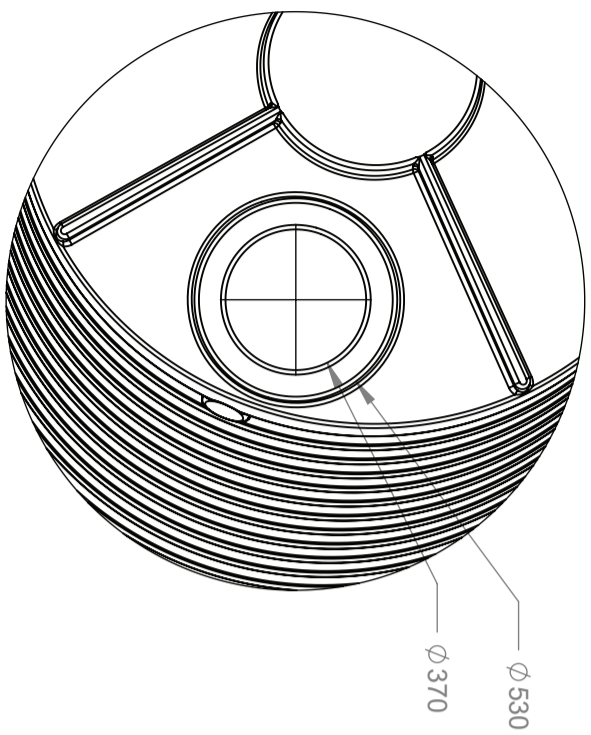
AS/NZS 4766:2006
Polyethylene Storage Tanks
for Water and Chemicals
Certification # 300/1



Independently Certified By



Australian Owned & Operated

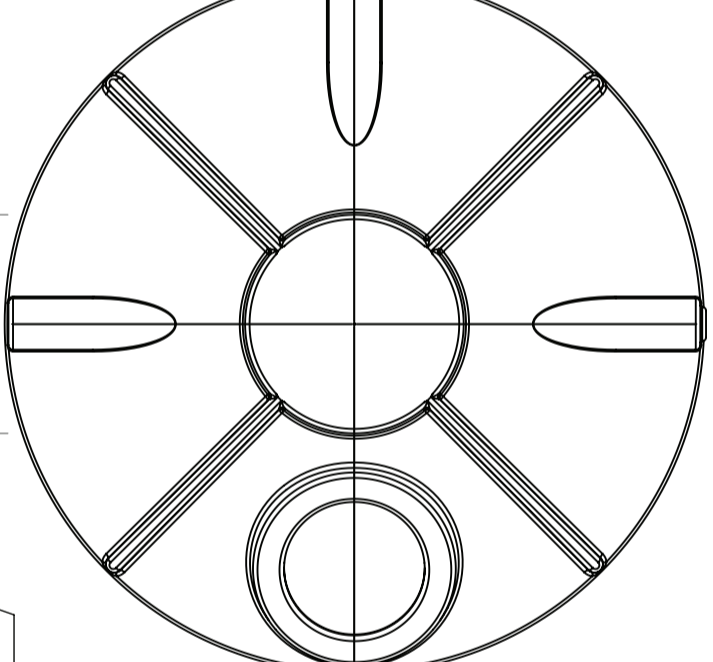


VIEW B-B

Ø575.0
88

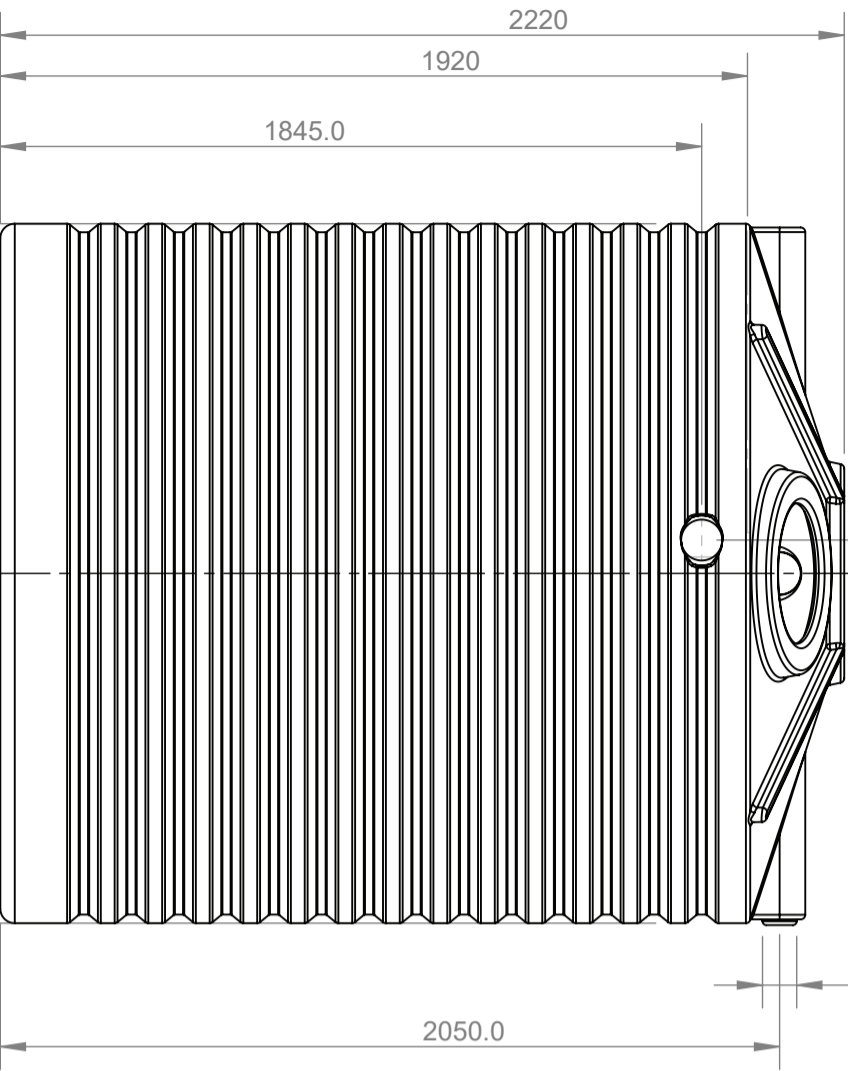
Ø530
Ø370

Ø90.0



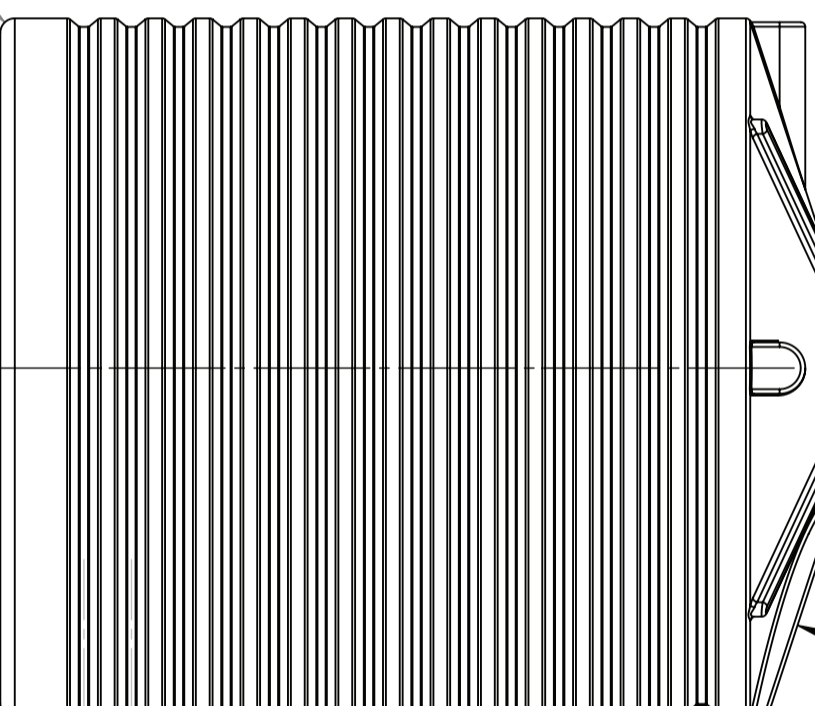
DETAIL B

Ø575.0

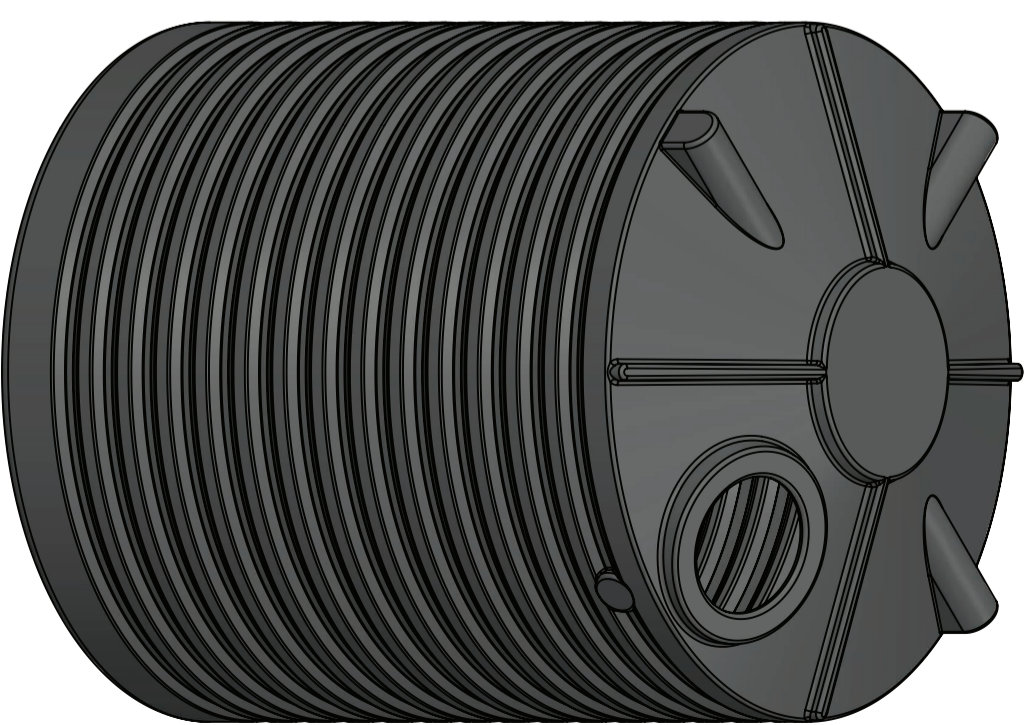


DRAWING NOTES:

1. GENERAL TOLERANCES TO BE FOLLOWED IN TABLE, UNLESS OTHERWISE SPECIFIED
2. SURROUNDED DIMENSIONS ARE CRITICAL
3. SURROUNDED DIMENSIONS ARE FOR REFERENCE
4. ANY UNMARKED OR MISSING DIMENSIONS USE STEP DATA OR NATIVE PARTS MATERIAL SUBSTITUTION ONLY WITH WRITTEN PERMISSION FROM CLARK TANKS
5. ALL SHARP EDGES AND BURRS TO BE REMOVED
- 6.



125.0
220.0



5000L

CT1100T

THIRD ANGLE PROJECTION NOT TO SCALE DIMENSIONS IN MM TOLERANCES UNLESS OTHERWISE SPECIFIED MATERIAL PE PART No. CT1100T



Better Design. Better Build. Better Value.

COPYRIGHT DETAILS: THIS DOCUMENT IS THE PROPERTY OF CLARK TANKS AND NOT FOR REPRODUCTION IN ANYWAY WITHOUT SPECIFIC WRITTEN PERMISSION FROM CLARK TANKS. DRAWINGS PREPARED BY WWW.ABIDCONSULTANTS.COM

DRAWING No. CT1100T		DRAWING NAME CT1100T	
SIZE A3		SHEET 1 OF 1	
REV	ECN / PE	STATUS / COMMENTS / NOTES	DRN
A		PRODUCTION RELEASE	AS
B		COLOUR TO WIND GREY R136 G139 B138	AS
DATE		DATE	DATE
6/12/2023		19/03/2024	6/12/2023
CHKD		CHKD	CHKD
JG		JG	JG
AS		AS	AS
1		2	3
1		2	3